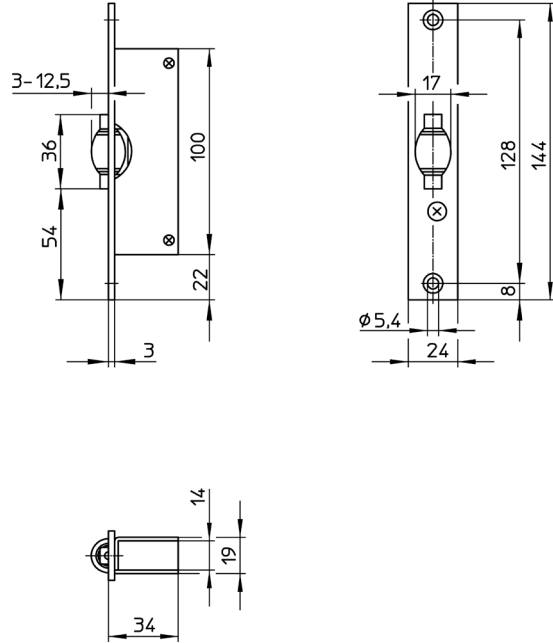


**Einsteckschloss
für Pendeltüren**

**Mortise lock
for swing doors**

052H



| | |
|-------------------|------|
| Art. Nr./Art. No. | 052H |
|-------------------|------|

Schweres Einsteckschloss, Stulp Edelstahl rostfrei, Falle Messing vernickelt, Kastenbreite 34 mm.
Anforderungen gemäß DIN 18 251-2 Klasse 1.

Heavy mortise lock, forend stainless steel, latch bolt brass nickel-plated, width of lock case 34 mm.
According to DIN 18 251-2 class 1 requirements.